

GPI6508IC68 GaN Power IC in DFN6x8 Package

Preliminary Datasheet version: 2.0

Features

BV_{dss}	R_{dson}	I_{ds}
650V	170 m Ω	7.5 A

- Ultra-low $R_{DS(on)}$
- High dv/dt capability
- Extremely low input capacitance
- Fast switching
- Low Profile

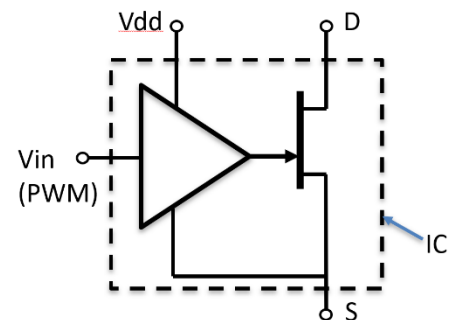
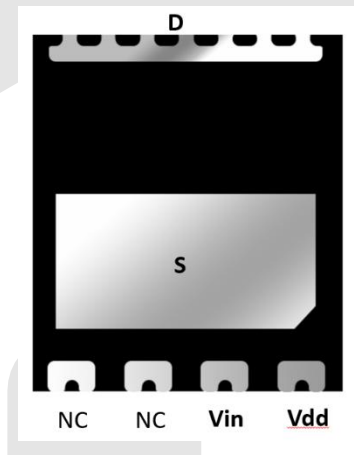
Applications

- Switching Power Applications
- Power adapters and power delivery chargers

Description

These devices are power IC based on 650 V Power GaN HEMTs using proprietary E-mode GaN on silicon technology. The gate driver is integrated with the main power transistor resulting in fast switching, high system power density and low cost.

Device Characteristics





GaNPower International Inc.

WWW.IGANPOWER.COM
 230 -3410 LOUGHEED HWY
 VANCOUVER, BC, V5M 2A4 CANADA

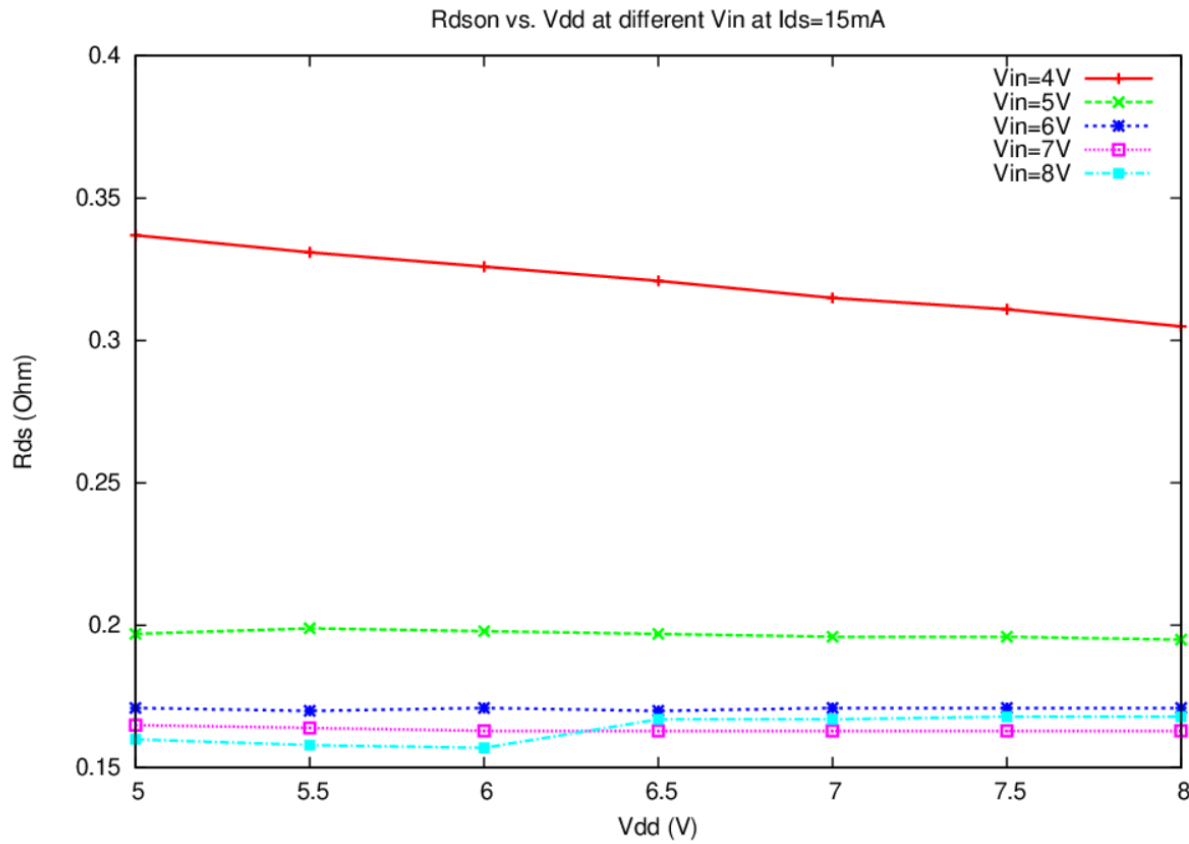
Basic Parameters				Test data			
	Parameters		Conditions	Min	Typical	Max	Unit
1	BV_{dss}	Drain-Source breakdown voltage	$V_{gs}=0V$ $I_d=10\mu A$		650		V
2	R_{dson}	Static drain-source on resistance, $T_C=25^\circ C$	$V_{gs}=6V$ $I_d=1.8A$	165	170	190	m Ω
3	Vdd	Drive supply voltage		5	6.5	8	
4	Vin	PWM input pin voltage		5	6.5	8	
5	Iin	Input current			1		mA
6	Ciss	Input capacitance			3		pF
7	Qg	Input gate charge			60		fC
Switching Performance				Test data			
	Parameters		Conditions	Min	Typical	Max	Unit
1	$t_{d(on)}$	Turn-on delay time	$V_{ds}=350V$ $I_d=2.5A$ $V_{in}=5V$ $V_{dd}=6.5V$		15		ns
2	t_r	Rise time			10		ns
3	$t_{d(off)}$	Turn-off delay time			10		ns
4	t_f	Fall time			10		ns



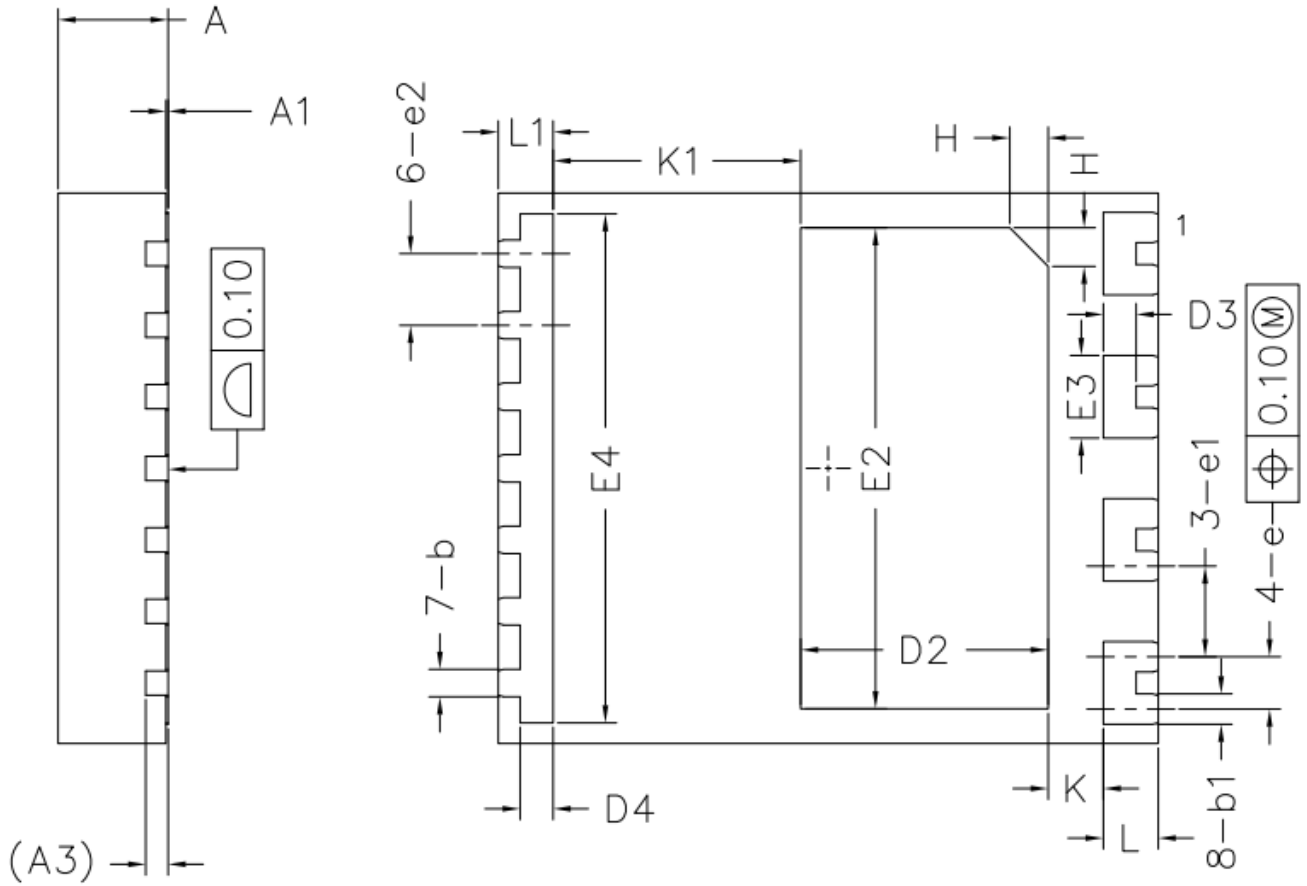
GaNPower International Inc.

WWW.IGANPOWER.COM
230 -3410 LOUGHEED HWY
VANCOUVER, BC, V5M 2A4 CANADA

Electrical Performance



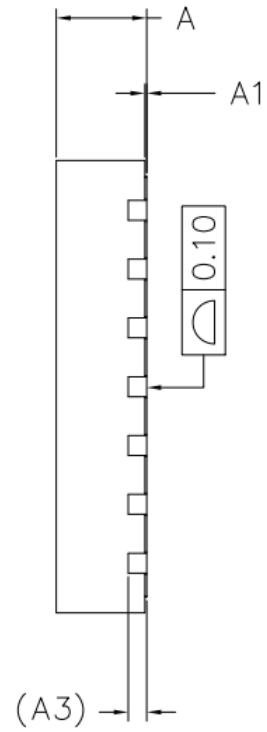
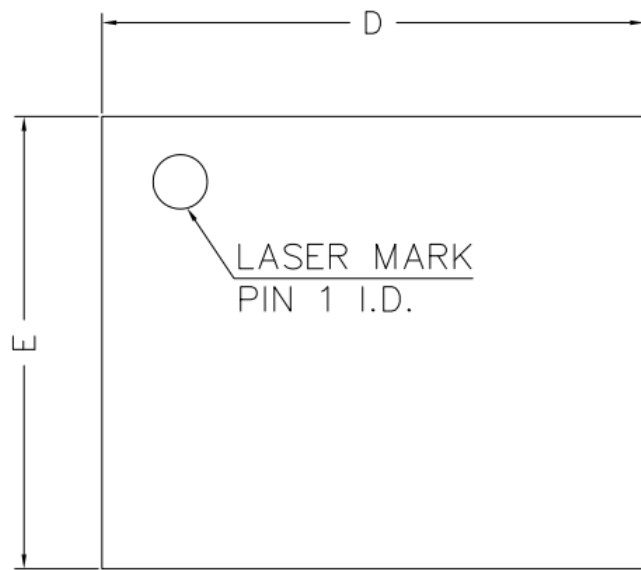
Package Information





GaNPower International Inc.

WWW.IGANPOWER.COM
230 -3410 LOUGHEED HWY
VANCOUVER, BC, V5M 2A4 CANADA





GaNPower International Inc.

WWW.IGANPOWER.COM
230 -3410 LOUGHEED HWY
VANCOUVER, BC, V5M 2A4 CANADA

COMMON DIMENSIONS (UNITS OF MEASURE=MILLIMETER)

SYMBOL	MIN	NOM	MAX
A	0.90	1.00	1.10
A1	0.00	0.02	0.05
A3	0.203REF		
b	0.20	0.25	0.30
b1	0.225	0.275	0.325
D	5.90	6.00	6.10
E	4.90	5.00	5.10
D2	2.15	2.25	2.35
E2	4.27	4.37	4.47
D3	0.20	0.30	0.40
E3	0.65	0.75	0.85
D4	0.20	0.30	0.40
E4	4.525	4.625	4.725
e	0.375	0.475	0.575
e1	0.725	0.825	0.925
e2	0.55	0.65	0.75
H	0.35REF		
K	0.35	0.50	0.65
K1	2.10	2.25	2.40
L	0.40	0.50	0.60
L1	0.40	0.50	0.60



GaNPower International Inc.

WWW.IGANPOWER.COM
230 -3410 LOUGHEED HWY
VANCOUVER, BC, V5M 2A4 CANADA

GaN HEMT Frequently Asked Questions

1	<p>Q: Can we do pin to pin switch for silicon MOSFET or IGBT?</p> <p>A: The short answer is no. GaN HEMT power devices are far superior than the best silicon devices such as super junction MOSFETs. However, due to different requirements of gate driving voltage and extremely high dv/dt slew rate, special drivers and optimized PCB layouts are recommended to minimize the impact from circuit parasitics. Some packaging forms such as GaNPower's DFN packaged devices offer both sense and force for the source terminal. Also, for traditional TO220 packages, please be advised that the pins are arranged as Gate – Source -Drain, and the thermal pad is connected to the source instead of drain.</p>
2	<p>Q: Are GaN power devices reliable?</p> <p>A: GaN power HEMTs have been tested by GaNPower and many other vendors, users and testing facilities to be as reliable (if not better than) silicon counterparts.</p>
3	<p>Q: How do GaN power devices compare with SiC?</p> <p>A: Currently GaN power HEMT devices are most suitable for low to medium voltage ($\leq 1200V$) and power (<50KW) applications.</p>
4	<p>Q: Do we need to parallel an FRD for applications such as inverters?</p> <p>A: GaN devices are different from silicon MOSFET or IGBT in that they have no inherent PN junction diodes that cause reverse recovery issue. User do not need to parallel an FRD for the purpose of suppressing the body diode reverse recovery effect, since GaN HEMT can operate in both first and third quadrants. However, care should be taken for the dead time power loss since the Vsd voltage of GaN HEMT is usually close to 2V. This is especially true when a negative gate voltage is applied.</p>
5	<p>Q: Can we parallel GaN HEMT devices?</p> <p>A: Yes, GaN HEMT is ideal for paralleling, due to positive temperature coefficient of Rds(on) and slightly positive temperature coefficient of threshold voltage.</p>